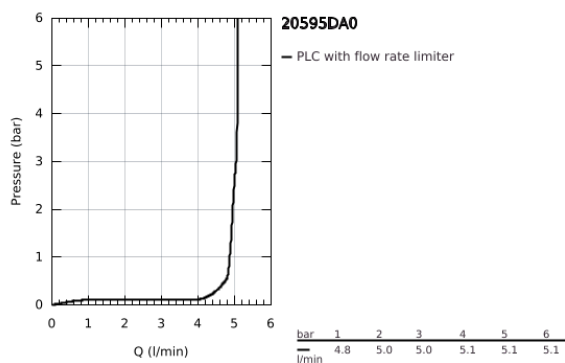
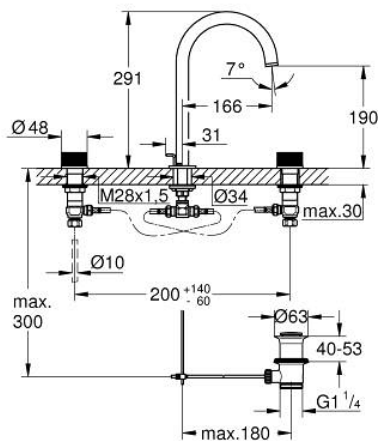


20 595 DA0 ATRIO PRIVATE COLLECTION THREE-HOLE BASIN MIXER 1/2" L-SIZE

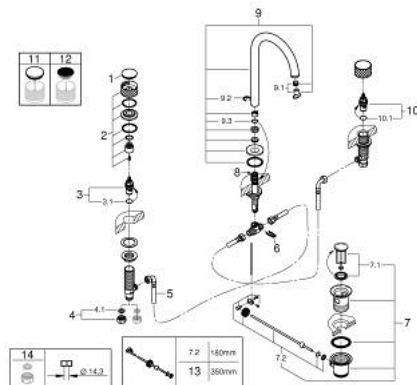


PRODUCT DESCRIPTION

- Colour: warm sunset
- ceramic headparts 1/2", 90°
- GROHE LongLife finish
- GROHE EcoJoy - less water, perfect flow
- maximum flow rate (at 3 bar): 5 l/min
- swivel tubular spout with mousseur and stop limiter
- adjustable swivel area 0° / 150° / 360°
- pop-up waste set 1 1/4"
- pressure-proof, flexible connection hoses between spout and side valves
- knobs with metal inlay
- can be combined with 48 460 000 or 48 461 000



20 595 DA0 ATRIO PRIVATE COLLECTION THREE-HOLE BASIN MIXER 1/2" L-SIZE



SPARE PARTS, May 2018 – now

- 1: Cap (Spare part-nr. 101300DA00)
- 2: Handle (Spare part-nr. 101299DA00)
- 3: Ceramic headpart, 1/2" (Spare part-nr. 45882000)
- 3.1: O-ring Ø 18.2 x Ø 1.7 (Spare part-nr. 0392400M)
- 4: Coupling nut 1/2" (Spare part-nr. 1290100M)
- 4.1: Fibre seal dia. Ø 18,5 x Ø 12 x 2 (Spare part-nr. 0138900M)
- 5: Flexible connection hose (Spare part-nr. 45704000)
- 6: Fixing clamp (Spare part-nr. 6554100M)
- 7: Waste set 1 1/4" (Spare part-nr. 28910DA0)
- 7.1: Plug (Spare part-nr. 07182DA0)
- 7.2: Eccentric rod (Spare part-nr. 07052000)
- 8: Pop-up rod (Spare part-nr. 65196DA0)
- 9: Spout (Spare part-nr. 101298DA00)
- 9.1: Flow straightener (Spare part-nr. 48408000)
- 9.2: Safety ring (Spare part-nr. 4826600M)
- 9.3: Sealing washer (Spare part-nr. 0128500M)
- 10: Ceramic headpart, 1/2" (Spare part-nr. 45883000)
- 10.1: O-ring Ø 18.2 x Ø 1.7 (Spare part-nr. 0392400M)
- 11: Inlays made from White Attica Caesarstone material (Spare part-nr. 484600)*
- 12: Inlays made from Vanilla Noir Caesarstone material (Spare part-nr. 4846100)*
- 13: Eccentric rod (Spare part-nr. 07341000)*
- 14: Coupling nut 1/2" x 14.5 mm (Spare part-nr. 1290200M)*

* Optional accessories