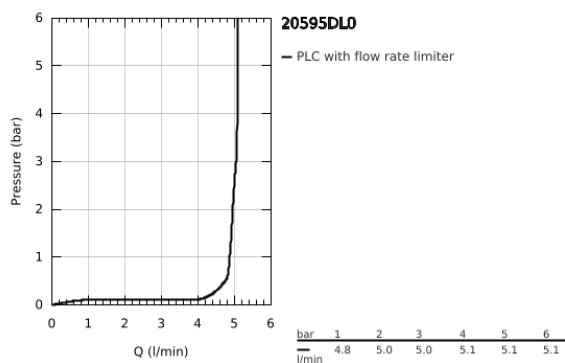
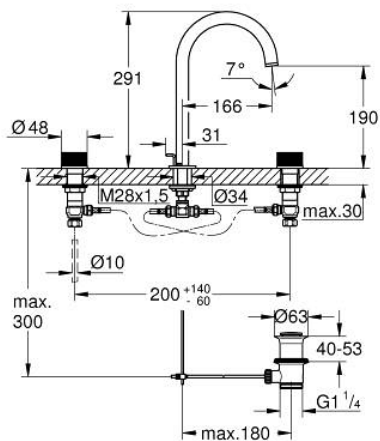


## 20 595 DL0 ATRIO PRIVATE COLLECTION THREE-HOLE BASIN MIXER 1/2" L-SIZE

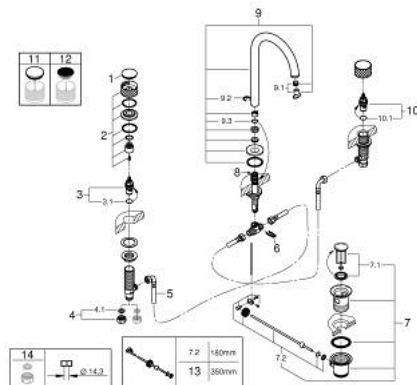


### PRODUCT DESCRIPTION

- Colour: brushed warm sunset
- ceramic headparts 1/2", 90°
- GROHE LongLife finish
- GROHE EcoJoy - less water, perfect flow
- maximum flow rate (at 3 bar): 5 l/min
- swivel tubular spout with mousseur and stop limiter
- adjustable swivel area 0° / 150° / 360°
- pop-up waste set 1 1/4"
- pressure-proof, flexible connection hoses between spout and side valves
- knobs with metal inlay
- can be combined with 48 460 000 or 48 461 000



## 20 595 DL0 ATRIO PRIVATE COLLECTION THREE-HOLE BASIN MIXER 1/2" L-SIZE



### SPARE PARTS, May 2018 – now

- 1: Cap (Spare part-nr. 101300DL00)
  - 2: Handle (Spare part-nr. 101299DL00)
  - 3: Ceramic headpart, 1/2" (Spare part-nr. 45882000)
  - 3.1: O-ring Ø 18.2 x Ø 1.7 (Spare part-nr. 0392400M)
  - 4: Coupling nut 1/2" (Spare part-nr. 1290100M)
  - 4.1: Fibre seal dia. Ø 18,5 x Ø 12 x 2 (Spare part-nr. 0138900M)
  - 5: Flexible connection hose (Spare part-nr. 45704000)
  - 6: Fixing clamp (Spare part-nr. 6554100M)
  - 7: Waste set 1 1/4" (Spare part-nr. 28910DL0)
  - 7.1: Plug (Spare part-nr. 07182DL0)
  - 7.2: Eccentric rod (Spare part-nr. 07052000)
  - 8: Pop-up rod (Spare part-nr. 65196DL0)
  - 9: Spout (Spare part-nr. 101298DL00)
  - 9.1: Flow straightener (Spare part-nr. 48408000)
  - 9.2: Safety ring (Spare part-nr. 4826600M)
  - 9.3: Sealing washer (Spare part-nr. 0128500M)
  - 10: Ceramic headpart, 1/2" (Spare part-nr. 45883000)
  - 10.1: O-ring Ø 18.2 x Ø 1.7 (Spare part-nr. 0392400M)
  - 11: Inlays made from White Attica Caesarstone material (Spare part-nr. 4846000)\*
  - 12: Inlays made from Vanilla Noir Caesarstone material (Spare part-nr. 4846100)\*
  - 13: Eccentric rod (Spare part-nr. 07341000)\*
  - 14: Coupling nut 1/2" x 14.5 mm (Spare part-nr. 1290200M)\*
- \* Optional accessories