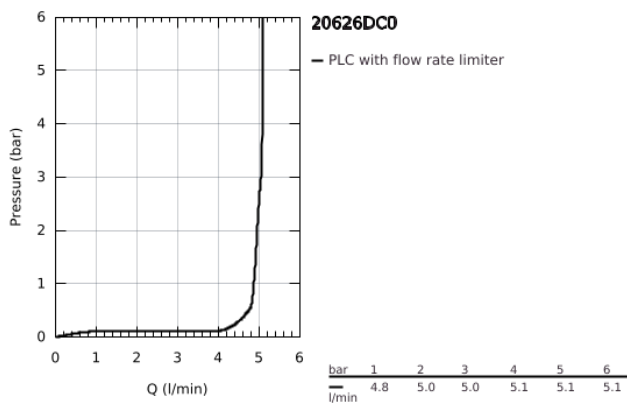
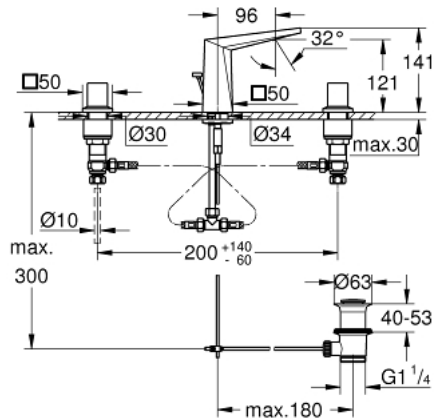


## 20 626 DC0 ALLURE BRILLIANT THREE-HOLE BASIN MIXER 1/2" M-SIZE

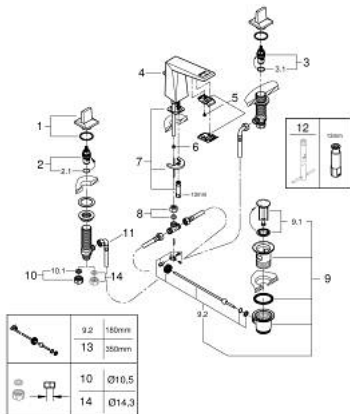


### PRODUCT DESCRIPTION

- Colour: Supersteel
- ceramic headparts 1/2", 90°
- GROHE LongLife finish
- GROHE EcoJoy - less water, perfect flow
- maximum flow rate (at 3 bar): 5 l/min
- low spout with integrated mousseur
- pop-up waste set 1 1/4"
- pressure-proof, flexible connection hoses between spout and side valves
- min. recommended pressure 1.0 bar



## 20 626 DC0 ALLURE BRILLIANT THREE-HOLE BASIN MIXER 1/2" M-SIZE



### SPARE PARTS, October 2021 – now

- 1: Handle pair (Spare part-nr. 48320DC0)
  - 2: Ceramic headpart, 1/2" (Spare part-nr. 45882000)
  - 2.1: O-ring Ø 18.2 x Ø 1.7 (Spare part-nr. 0392400M)
  - 3: Ceramic headpart, 1/2" (Spare part-nr. 45883000)
  - 3.1: O-ring Ø 18.2 x Ø 1.7 (Spare part-nr. 0392400M)
  - 4: Pop-up rod (Spare part-nr. 46787DC0)
  - 5: Race (Spare part-nr. 46794DC0)
  - 6: Flow limiter (Spare part-nr. 48160000)
  - 7: Shank fastening assembly (Spare part-nr. 46671000)
  - 8: Compression union 3/8" (Spare part-nr. 12914000)
  - 8.1: Seal (Spare part-nr. 45279000)
  - 9: Waste set 1 1/4" (Spare part-nr. 28910DC0)
  - 9.1: Plug (Spare part-nr. 07182DC0)
  - 9.2: Eccentric rod (Spare part-nr. 07052000)
  - 10: Coupling nut 1/2" (Spare part-nr. 1290100M)
  - 10.1: Fibre seal dia. Ø 18,5 x Ø 12 x 2 (Spare part-nr. 0138900M)
  - 11: Flexible connection hose (Spare part-nr. 45704000)
  - 12: Mounting wrench (Spare part-nr. 19017000)\*
  - 13: Eccentric rod (Spare part-nr. 07341000)\*
  - 14: Coupling nut 1/2" x 14.5 mm (Spare part-nr. 1290200M)\*
  - 14.1: Fibre seal dia. Ø 18,5 x Ø 12 x 2 (Spare part-nr. 0138900M)
- \* Optional accessories