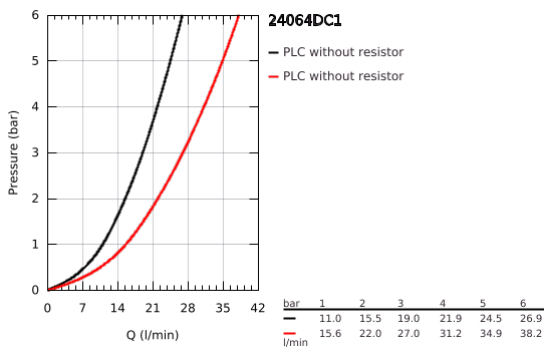
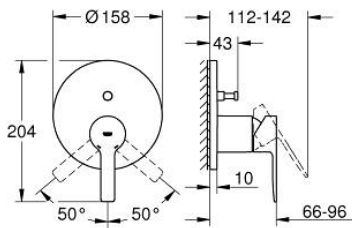


24 064 DC1 LINEARE SINGLE-LEVER MIXER WITH 2-WAY DIVERTER

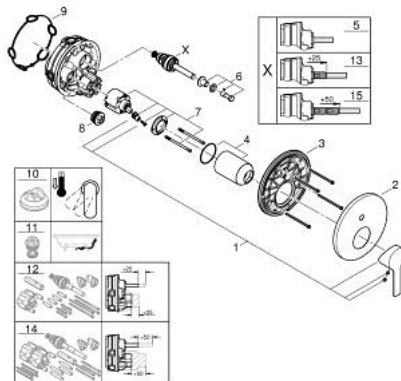


PRODUCT DESCRIPTION

- Colour: Supersteel
- trim set for GROHE Rapido SmartBox (35 600/35 604)
- GROHE SilkMove 46 mm ceramic cartridge
- GROHE LongLife finish
- wall escutcheon with GROHE FastFixation (covered escutcheon- and shaft sealing, covered fixing)
- metal escutcheon, retroactively 6° adjustable
- metal lever
- automatic 2-way diverter
- without roughing-in set 35 600/35 604 (please order separately)
- flow performance: outlet B = 27 l/min, outlet C = 27 l/min



24 064 DC1 LINEARE SINGLE-LEVER MIXER WITH 2-WAY DIVERTER



SPARE PARTS, April 2024 – now

- 1: Lever (Spare part-nr. 46988DC0)
 - 2: Escutcheon (Spare part-nr. 48429DC0)
 - 3: Mounting plate (Spare part-nr. 48440000)
 - 4: Cap (Spare part-nr. 09038DC0)
 - 5: Diverter (Spare part-nr. 48634000)
 - 6: Diverter knob (Spare part-nr. 48637DC0)
 - 7: Cartridge (Spare part-nr. 46048000)
 - 8: Non-return valve (Spare part-nr. 49085000)
 - 9: Seal (Spare part-nr. 48360000)
 - 10: Temperature limiter (Spare part-nr. 46375000)*
 - 11: Backflow protection combination (EN1717) (Spare part-nr. 14055000)*
 - 12: Universal extension set single-lever mixers, 25 mm (Spare part-nr. 14056000)*
 - 13: diverter (Spare part-nr. 48635000)*
 - 14: Universal extension set single-lever mixers, 50 mm (Spare part-nr. 14057000)*
 - 15: diverter (Spare part-nr. 48636000)*
- * Optional accessories