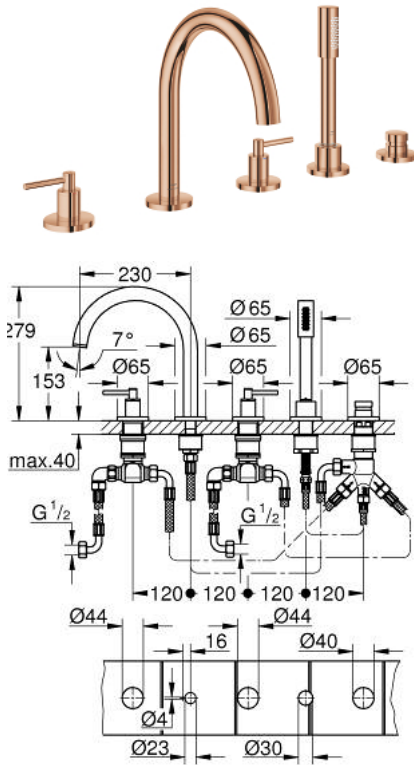
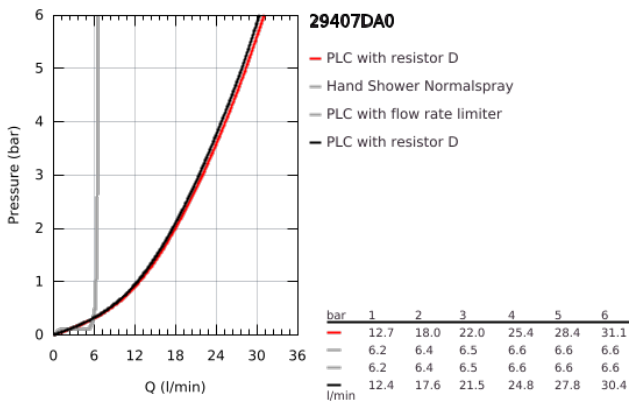


29 407 DA0 ATRIO 5-HOLE BATH COMBINATION

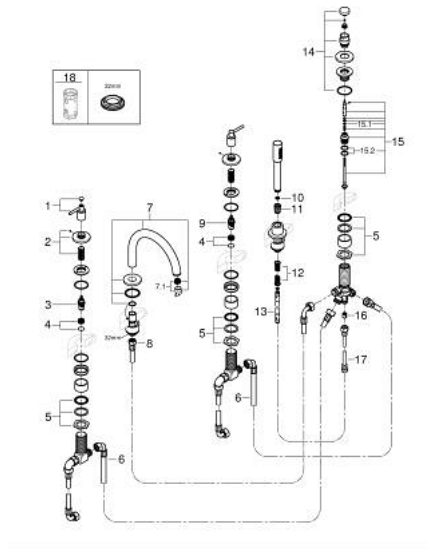


PRODUCT DESCRIPTION

- Colour: warm sunset
- ceramic headparts 1/2", 90°
- GROHE LongLife finish
- consisting of:
 - pre-assembled spout fixing
 - with lever handles
 - bath spout with mousseur and diverter bath/shower
 - hand shower Rainshower Aqua Stick 6.5 l/min
 - shower hose 2000 mm
 - flexible connection hoses
 - connection for shower hose
 - protected against backflow
 - for use with baseframe 29 037 002 (please order separately)
- Two different sets of caps included. One set with "H" and "C" marking, one set without marking.



29 407 DA0 ATRIO 5-HOLE BATH COMBINATION



SPARE PARTS, October 2021 – now

- 1: Lever handle bath (Spare part-nr. 14218DA0)
 - 2: Escutcheon (Spare part-nr. 101351DA00)
 - 3: Ceramic headpart 3/4" (Spare part-nr. 45888000)
 - 4: Valve seat 3/4" (Spare part-nr. 45345000)
 - 5: Repl. kit for shank fastening (Spare part-nr. 45444000)
 - 6: Tube (Spare part-nr. 48019000)
 - 7: Spout (Spare part-nr. 101350DA00)
 - 7.1: Mousseur (Spare part-nr. 13926000)
 - 8: Tube (Spare part-nr. 48018000)
 - 9: Ceramic headpart 3/4" (Spare part-nr. 45887000)
 - 10: Dirt strainer (Spare part-nr. 0700200M)
 - 11: Cone nut (Spare part-nr. 08864DA0)
 - 12: Spring (Spare part-nr. 00869000)
 - 13: Metal hose (Spare part-nr. 28146000)
 - 14: Diverter knob (Spare part-nr. 48411DA0)
 - 15: Diverter (Spare part-nr. 45443000)
 - 15.1: Sealing washer $\varnothing 6 \times \varnothing 2$ (Spare part-nr. 0128300M)
 - 15.2: Sealing washer (Spare part-nr. 0120500M)
 - 16: Non-return valve (Spare part-nr. 08565000)
 - 17: Tube (Spare part-nr. 07300000)
 - 18: Socket Spanner (Spare part-nr. 19332000)*
- * Optional accessories