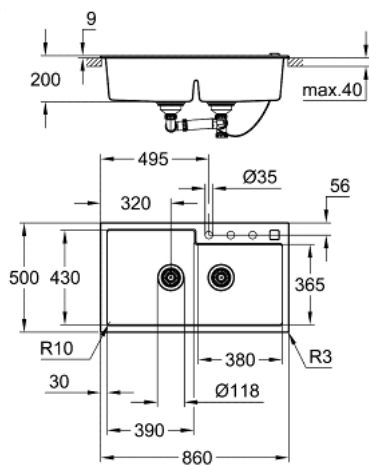


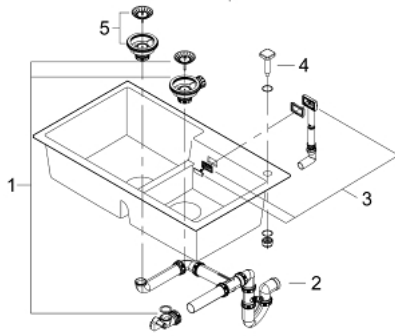
31 649 AT0 K500 COMPOSITE SINK



PRODUCT DESCRIPTION

- Colour: granite gray
- model: K500 90-C 86/50 2.0
- mounting type: top mount
- material: quartz composite
- GROHE Whisper
- min. cabinet size: 900 mm
- dimensions: 860 x 500 mm
- 1 bowl: 390 x 430 x 200 mm
- 2 bowl: 380 x 365 x 200 mm
- outer radius: R3, inner bowl radius: R10
- GROHE FastFixation installation system
- sink mountable left
- cut-out: 840 x 480 mm
- drainer: automatic waste fitting
- accessories included: automatic waste fitting with rotary handle, waste kit, basket strainer waste, mounting set
- optional push to open excenter (40 986 SD0)
- amount of fasteners included (top mount): 10
- heat resistant up to 180° C

31 649 AT0 K500 COMPOSITE SINK



SPARE PARTS, May 2022 – now

- 1: Plug (Spare part-nr. 42588SD1)
- 2: Waste trap (Spare part-nr. 42619000)
- 3: Cover element (Spare part-nr. 42590SD1)
- 4: Turning handle (Spare part-nr. 42586SD0)
- 5: Plug (Spare part-nr. 42589SD1)