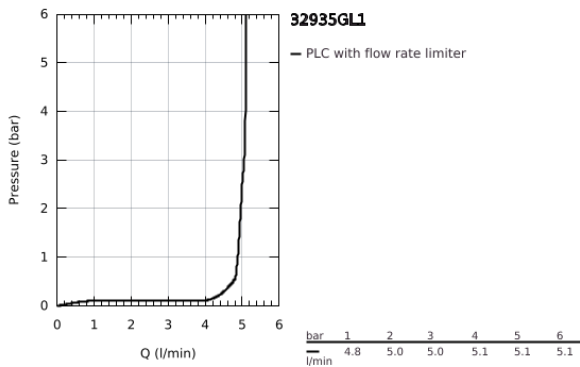
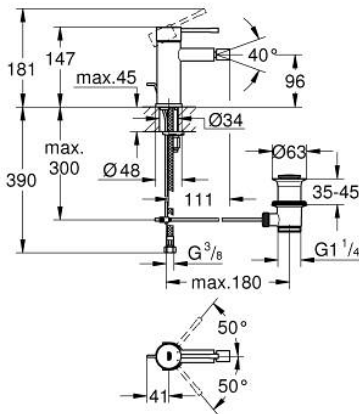


32 935 GL1 **ESSENCE SINGLE-LEVER BIDET MIXER 1/2"**
S-SIZE



PRODUCT DESCRIPTION

- Colour: cool sunrise
- single hole installation
- metal lever
- GROHE SilkMove 28 mm ceramic cartridge
- with temperature limiter
- GROHE LongLife finish
- GROHE FastFixation Plus installation system
- ball-joint mousseur
- pop-up waste set 1 1/4"
- flexible connection hoses
- min. recommended pressure 1.0 bar



32 935 GL1 ESSENCE SINGLE-LEVER BIDET MIXER 1/2" S-SIZE



SPARE PARTS, May 2024 – now

- 1: Lever (Spare part-nr. 46917GL0)
 - 2: Fitting ring (Spare part-nr. 46715000)
 - 3: Cartridge (Spare part-nr. 46580000)
 - 4: lift rod (Spare part-nr. 46739GL0)
 - 5: Mousseur (Spare part-nr. 13998000)
 - 6: Escutcheon (Spare part-nr. 48603GL0)
 - 7: Shank fastening assembly (Spare part-nr. 46645000)
 - 8: Waste set 1 1/4" (Spare part-nr. 28910GL0)
 - 8.1: Plug (Spare part-nr. 07182GL0)
 - 8.2: Eccentric rod (Spare part-nr. 07052000)
 - 9: Mounting wrench (Spare part-nr. 19017000)*
 - 10: Eccentric rod (Spare part-nr. 07341000)*
- * Optional accessories