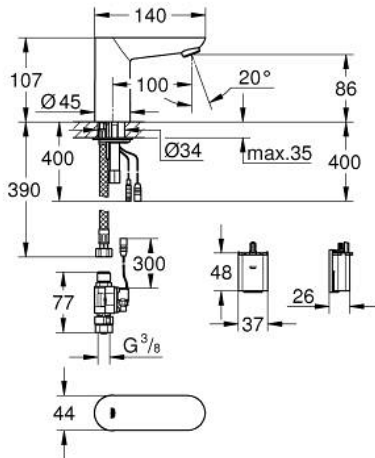
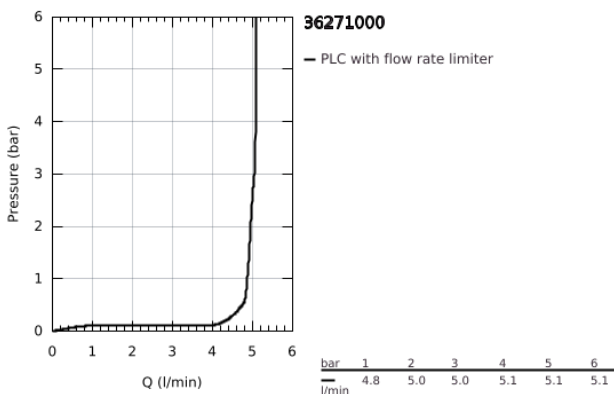


36 271 000 EUROSMART CE INFRA-RED ELECTRONIC BASIN TAP WITHOUT MIXING DEVICE

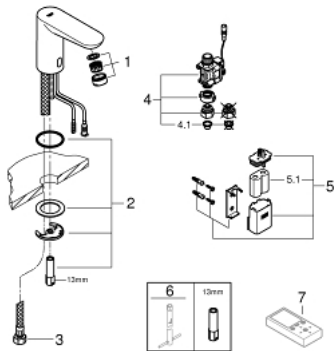


PRODUCT DESCRIPTION

- Colour: chrome
- with infrared sensor for bi-directional communication for monitoring, configuration and service purpose
- for cold or premixed water
- 6 V lithium battery, type CR-P2
- battery lifetime: approx. 7 years (150 actuations a day)
- GROHE EcoJoy - less water, perfect flow
- maximum flow rate (at 3 bar): 5 l/min
- flexible connection hoses
- dirt strainers
- external solenoid valve
- external battery
- rapid installation system
- multistage battery status display
- 7 pre-set programs:
 - auto flush
 - thermal disinfection
 - cleaning mode
- additional functions and precise settings by remote control 36 407
- CE approved
- acoustic group I in accordance with DIN 4109
- type of protection faucet IP 59K
- min. recommended pressure 1.0 bar



36 271 000 EUROSMART CE INFRA-RED ELECTRONIC BASIN TAP WITHOUT MIXING DEVICE



SPARE PARTS, September 2015 – now

- 1: Mousseur (Spare part-nr. 48159000)
- 2: Shank fastening assembly (Spare part-nr. 42389000)
- 3: Connection hose (Spare part-nr. 46255000)
- 4: Solenoid valve (Spare part-nr. 42390000)
- 4.1: Dirt strainer (Spare part-nr. 42395000)
- 5: Battery housing (Spare part-nr. 42393000)
- 5.1: Battery (Spare part-nr. 42886000)
- 6: Mounting wrench (Spare part-nr. 19017000)*
- 7: Remote control (Spare part-nr. 36407001)*

* Optional accessories