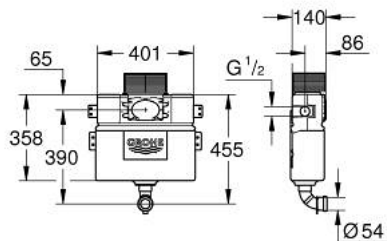


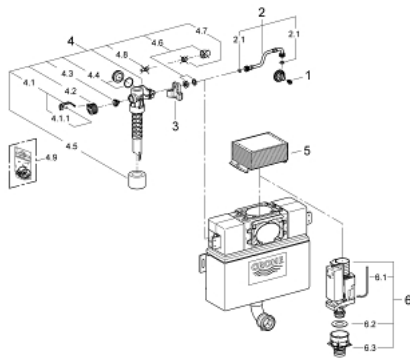
38 422 000 FLUSHING CISTERN FOR WC



PRODUCT DESCRIPTION

- 6 - 9 l adjustable
- concealed installation
- 0.82 m installation height
- dual flush discharge valve, pneumatic
- front or top actuation
- water supply from left/right or top
- low noise (group I acc. to German Noise Specification)
- insulated against condensation
- 415 x 410 x 360 mm
- ½" water supply connection
- fixing brackets
- flush pipe
- shortable inspection shaft incl. protection during construction phase
- without wall plate/actuation
- GROHE EcoJoy - less water, perfect flow
- for mounting of small flush plates please order revision shaft 40 950 000 (sold separately)

38 422 000 FLUSHING CISTERN FOR WC



SPARE PARTS, July 2013 – now

- 1: Headpart (Spare part-nr. 42385000)
 - 2: Overflow Sleeve (Spare part-nr. 43325000)
 - 2.1: Sealing washer (Spare part-nr. 0319100M)
 - 3: Support device (Spare part-nr. 42195000)
 - 4: Filling valve (Spare part-nr. 37095000)
 - 4.1: Lever (Spare part-nr. 43734000)
 - 4.1.1: Seal (Spare part-nr. 4377000M)
 - 4.2: Valve head (Spare part-nr. 43536000)
 - 4.3: Membrane (Spare part-nr. 4375800M)
 - 4.4: Screw cap (Spare part-nr. 43735000)
 - 4.5: Valve FLOAT, 5 pcs. (Spare part-nr. 4379100M)
 - 4.6: Set of seals (Spare part-nr. 43722000)*
 - 5: Inspection shaft for flushing cistern (Spare part-nr. 42326000)
 - 6: AV1 complete (Spare part-nr. 42314000)
 - 6.1: Pneumatic hose (Spare part-nr. 42319000)
 - 6.2: Seal (Spare part-nr. 42310000)
 - 6.3: Valve seat for GD2 (Spare part-nr. 42315000)
- * Optional accessories