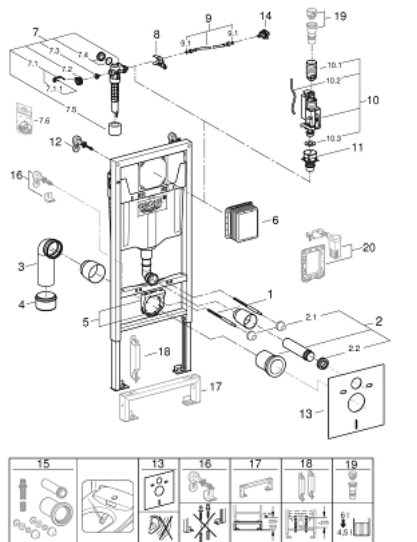


## 38 539 001 RAPID SL ELEMENT FOR WC, 1.13 M INSTALLATION HEIGHT

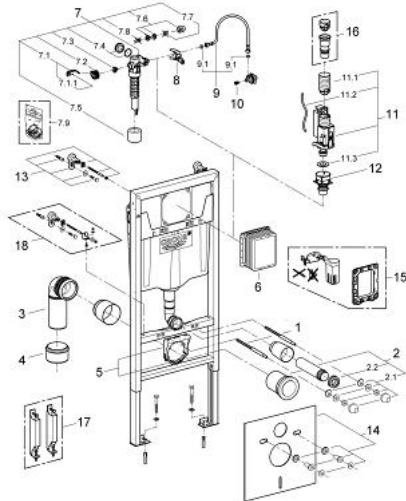


### SPARE PARTS, October 2021 – now

- 1: Threaded bolt (Spare part-nr. 4276400M)
- 2: WC inlet and outlet connecting set (Spare part-nr. 37311K00)
- 2.1: Basin fastening (Spare part-nr. 43511SH0)
- 2.2: Connector (Spare part-nr. 37119000)
- 3: PP-outlet bend Ø 90 mm (Spare part-nr. 42327000)
- 4: Reducer (Spare part-nr. 42242000)
- 5: Support for outlet bend (Spare part-nr. 42243000)
- 6: Inspection shaft (Spare part-nr. 66791000)
- 7: Filling valve (Spare part-nr. 37095000)
- 7.1: Lever (Spare part-nr. 43734000)
- 7.1.1: Seal (Spare part-nr. 4377000M)
- 7.2: Valve head (Spare part-nr. 43536000)
- 7.3: Membrane (Spare part-nr. 4375800M)
- 7.4: Screw cap (Spare part-nr. 43735000)
- 7.5: Valve FLOAT, 5 pcs. (Spare part-nr. 4379100M)
- 7.6: Set of seals (Spare part-nr. 43722000)\*
- 8: Support device (Spare part-nr. 42246000)
- 9: Tube (Spare part-nr. 42233000)
- 9.1: Sealing washer (Spare part-nr. 0319100M)
- 10: Dual Flush discharge valve AV1 (Spare part-nr. 42320000)
- 10.1: extension for Overflow pipe (Spare part-nr. 42313000)
- 10.2: Pneumatic hose (Spare part-nr. 42319000)
- 10.3: Seal (Spare part-nr. 42310000)
- 11: Valve seat for GD2 (Spare part-nr. 42315000)
- 12: Wall brackets (Spare part-nr. 3855800M)
- 13: Set for noise protection (Spare part-nr. 37131000)
- 14: Water connection (Spare part-nr. 48561000)
- 15: Retrofit kit for shower toilets Sensia Arena and Sensia Pro (Spare part-nr. 40899000)\*
- 16: Xtra wall brackets, flexible placing (Spare part-nr. 38733000)\*
- 17: Extension (Spare part-nr. 38629000)\*
- 18: Accessory (Spare part-nr. 38779000)\*
- 19: 4.5 l adapter for GD2 (Spare part-nr. 42333000)\*
- 20: Retro-fit set (Spare part-nr. 38796000)\*

\* Optional accessories

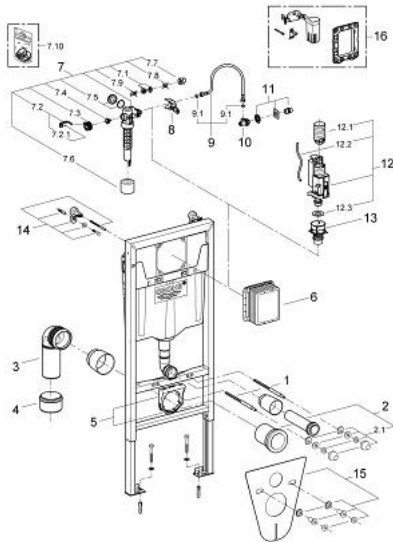
## 38 539 001 RAPID SL ELEMENT FOR WC, 1.13 M INSTALLATION HEIGHT



### SPARE PARTS, October 2012 – October 2021

- 1: Threaded bolt (Spare part-nr. 4276400M)
  - 2: WC inlet and outlet connecting set (Spare part-nr. 37311K00)
  - 2.1: Basin fastening (Spare part-nr. 43511SH0)
  - 2.2: Connector (Spare part-nr. 37119000)
  - 3: PP-outlet bend  $\varnothing$  90 mm (Spare part-nr. 42327000)
  - 4: Reducer (Spare part-nr. 42242000)
  - 5: Support for outlet bend (Spare part-nr. 42243000)
  - 6: Inspection shaft (Spare part-nr. 66791000)
  - 7: Filling valve (Spare part-nr. 37095000)
  - 7.1: Lever (Spare part-nr. 43734000)
  - 7.1.1: Seal (Spare part-nr. 4377000M)
  - 7.2: Valve head (Spare part-nr. 43536000)
  - 7.3: Membrane (Spare part-nr. 4375800M)
  - 7.4: Screw cap (Spare part-nr. 43735000)
  - 7.5: Valve FLOAT, 5 pcs. (Spare part-nr. 4379100M)
  - 7.6: Set of seals (Spare part-nr. 43722000)\*
  - 8: Support device (Spare part-nr. 42246000)
  - 9: Tube (Spare part-nr. 42233000)
  - 9.1: Sealing washer (Spare part-nr. 0319100M)
  - 10: Headpart (Spare part-nr. 42385000)
  - 11: AV1 complete with pipe extension (Spare part-nr. 42320000)
  - 11.1: extension for Overflow pipe (Spare part-nr. 42313000)
  - 11.2: Pneumatic hose (Spare part-nr. 42319000)
  - 11.3: Seal (Spare part-nr. 42310000)
  - 12: Valve seat for GD2 (Spare part-nr. 42315000)
  - 13: Wall brackets (Spare part-nr. 3855800M)
  - 14: Set for noise protection (Spare part-nr. 37131000)
  - 15: Retro-fit set (Spare part-nr. 38796000)\*
  - 16: 4.5 l adapter for GD2 (Spare part-nr. 42333000)\*
  - 17: Accessory (Spare part-nr. 38779000)\*
  - 18: Rapid SL mounting angle (Spare part-nr. 38733000)\*
- \* Optional accessories

## 38 539 001 RAPID SL ELEMENT FOR WC, 1.13 M INSTALLATION HEIGHT



### SPARE PARTS, August 2008 – October 2012

- 1: Threaded bolt (Spare part-nr. 4276400M)
- 2: WC inlet and outlet connecting set (Spare part-nr. 37311K00)
- 2.1: Basin fastening (Spare part-nr. 43511SH0)
- 2.2: Connector (Spare part-nr. 37119000)
- 3: PP-outlet bend  $\varnothing$  90 mm (Spare part-nr. 42327000)
- 4: Reducer (Spare part-nr. 42242000)
- 5: Support for outlet bend (Spare part-nr. 42243000)
- 6: Inspection shaft (Spare part-nr. 66791000)
- 7: Filling valve (Spare part-nr. 37095000)
- 7.1: Lever (Spare part-nr. 43734000)
- 7.1.1: Seal (Spare part-nr. 4377000M)
- 7.2: Valve head (Spare part-nr. 43536000)
- 7.3: Membrane (Spare part-nr. 4375800M)
- 7.4: Screw cap (Spare part-nr. 43735000)
- 7.5: Valve FLOAT, 5 pcs. (Spare part-nr. 4379100M)
- 7.6: Dummy plug and escutcheon cap (Spare part-nr. 37125000)
- 7.7: Compression nut (Spare part-nr. 43258000)
- 7.8: Throttle (Spare part-nr. 42356000)
- 7.9: Set of seals (Spare part-nr. 43722000)\*
- 8: Support device (Spare part-nr. 42246000)
- 9: Tube (Spare part-nr. 42233000)
- 9.1: Sealing washer (Spare part-nr. 0319100M)
- 10: Angle valve (Spare part-nr. 42235000)
- 11: water supply (Spare part-nr. 42234000)
- 12: AV1 complete with pipe extension (Spare part-nr. 42320000)
- 12.1: extension for Overflow pipe (Spare part-nr. 42313000)
- 12.2: Pneumatic hose (Spare part-nr. 42319000)
- 12.3: Seal (Spare part-nr. 42310000)
- 13: Valve seat for GD2 (Spare part-nr. 42315000)
- 14: Wall brackets (Spare part-nr. 3855800M)
- 15: Set for noise protection (Spare part-nr. 37131000)
- 16: Retro-fit set (Spare part-nr. 38796000)\*

\* Optional accessories