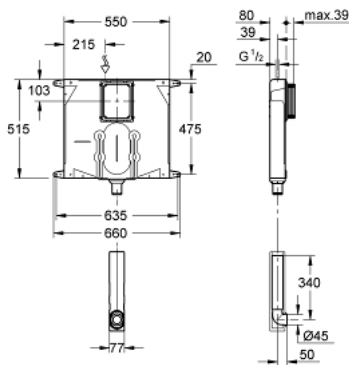


38 863 000 FLUSHING CISTERN FOR WC 80 MM

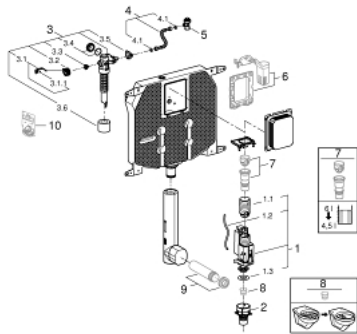


PRODUCT DESCRIPTION

- 6 - 9 l adjustable
- pneumatic discharge valve offering 3 modes of operation: dual flush or start/stop or single flush
- water supply connection from top
- low noise (group I acc. to German Noise Specification)
- with push fit flexible hose union
- angle valve 1/2"
- shortable inspection shaft incl. protection during construction phase
- for vertical use
- fixing brackets
- without wall plate/actuation
- GROHE EcoJoy - less water, perfect flow
- for mounting of small flush plates please order revision shaft 40 949 000 (sold separately)



38 863 000 FLUSHING CISTERN FOR WC 80 MM



SPARE PARTS, May 2021 – now

- 1: Dual Flush discharge valve AV1 (Spare part-nr. 42320000)
 - 1.1: extension for Overflow pipe (Spare part-nr. 42313000)
 - 1.2: Pneumatic hose (Spare part-nr. 42319000)
 - 1.3: Seal (Spare part-nr. 42310000)
 - 2: Valve seat for GD2 (Spare part-nr. 42315000)
 - 3: Filling valve (Spare part-nr. 43991000)
 - 3.1: Valve Support (Spare part-nr. 43995000)
 - 3.2: Lever (Spare part-nr. 43734000)
 - 3.2.1: Seal (Spare part-nr. 4377000M)
 - 3.3: Valve head (Spare part-nr. 43536000)
 - 3.4: Membrane (Spare part-nr. 4375800M)
 - 3.5: Screw cap (Spare part-nr. 43735000)
 - 3.6: Valve FLOAT, 5 pcs. (Spare part-nr. 4379100M)
 - 4: Tube (Spare part-nr. 42233000)
 - 4.1: Sealing washer (Spare part-nr. 0319100M)
 - 5: Angle valve (Spare part-nr. 42343000)
 - 6: Retro-fit set (Spare part-nr. 38796000)*
 - 7: 4.5 l adapter for GD2 (Spare part-nr. 42333000)*
 - 8: Flow restrictor (Spare part-nr. 42300000)*
 - 9: WC inlet and outlet connecting set (Spare part-nr. 37311K00)*
 - 10: Set of seals (Spare part-nr. 43722000)*
- * Optional accessories